

MODEL 4050RR

Smart 2-sided labeling in a single run

The centerpiece of the **Legi-Air 4050RR** is a rotary swing arm with two axes, which enables labeling on the front, side, or back of the carton. The applicator and tamp rotate independently of each other, ensuring that the tamp always remains parallel to the product surface. This guarantees precise label placement even with complex product positions or varying carton orientations. The result: maximum precision and flexibility in a wide range of logistics and production environments.

STANDARD FEATURES

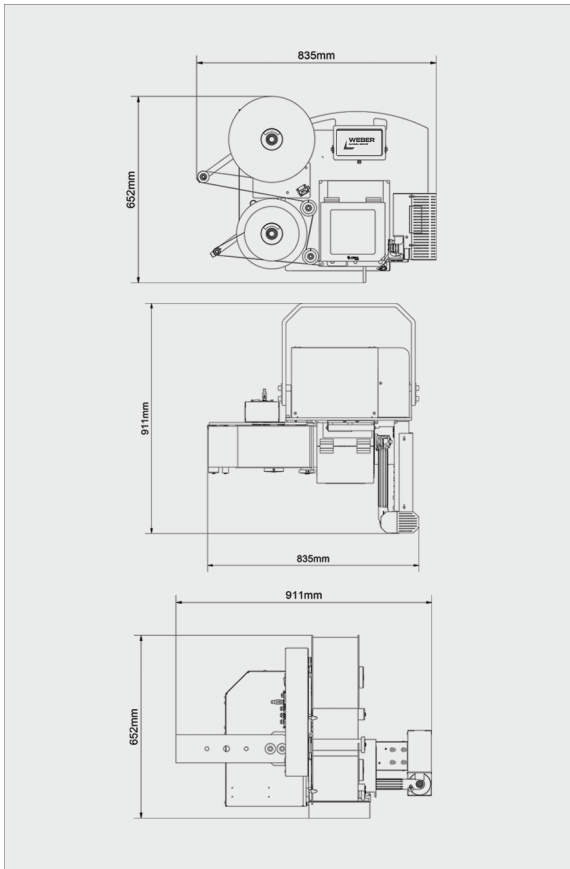
- + Rhombus rotation for maximum precision
- + Tamp-Blow technology for non-contact application
- + Quick change without tools
- + Intelligent trigger selection for maximum flexibility
- + Flexible: 1 or 2-sided labeling possible
- + Compact design, CE-compliant and safe

RELIABLE AND VERSATILE

- + Can be oriented to apply label to rear/side, front/side, rear/top, and front/top
- + Applicator enables precise label placement even with changing labeling modes
- + Motorized Label unwinder for reduced wear on print engine and smooth feeding of the supply roll
- + Zebra and Sato print engine compatible; 203, 300, and 600 dpi available



Scan here for more info



TECHNICAL DATA

- + **Dimensions (Tamp Home)**
- 652 × 590 × 835 mm – 25.67” H × 23.23” W × 32.88” L

- + **Weight**
- 75 kg, version dependent (without labels)

- + **Electrical**
- 90/263 VAC/50-60HZ (1PH), 580W

- + **Pneumatic**
- 6 Bar, up to 100 L/min

- + **Product Sensing**
- 2 Photoelectric Sensors

- + **Label Roll Size**
- Up to 13.75” O.D. (350mm) (outside wound)

- + **Stroke Reach**
- Rotation Arm Length = 7.68”

- + **Label Range and Standard Tamp Pad Sizes**
- Min 60mm W × 40mm F
- Max 120 × 160mm or 160 × 120mm

- + **Label Styling**
- Die-cut, waste-removed with a minimum of 0.125” (3mm) separation between labels in running direction

- + **Label Placement**
- Accurate to ±0.08” (2mm) when labels are produced to specifications and product handling is controlled

- + **Labeling Speed**
- 25 labels per minute, full stroke, 4” W × 6” F label

- + **Labeling Software Required**
- Print information needs to be sent to the print engine before label can be dispensed and applied

- + **Options**
- Adjustable stand
- Three-color stack light
- Sato & Zebra Print Engines (203, 300 & 600dpi)
- RFID Print Engine Upgrade
- I/O Easy Wiring Terminal Connection Box

WEBER Packaging Solutions, Inc.

711 West Algonquin Road
Arlington Heights / IL / 60005
1.800.843.4242 / info@weberpackaging.com



WEBER Marking Systems Canada

6180 Danville Road
Mississauga / ON / L5T 2H7
1.800.265.9974 / info@webermarking.ca

